

# CAMERA DOLLIES

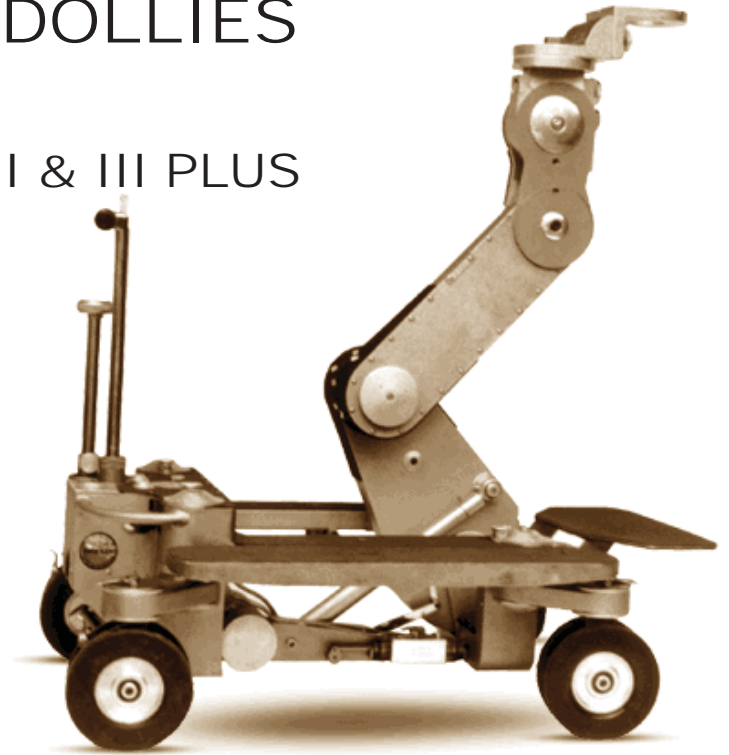
## CHAPMAN SUPER PEEWEE II, III & III PLUS

\$225.00 DAILY

INCLUDES: WIDE & NARROW SIDE BOARDS, FRONT BOARD, STANDING BOARD, DROP DOWN SIDE BOARD, 2 SEATS, SEAT RISER & OFFSET, LOW MOUNT, 6" RISER, 12" RISER, 24" EXTENSION PLATE AND TRACKING BAR.

### SPECIFICATIONS

MAXIMUM BOOM HEIGHT	5'5"
MINIMUM BOOM HEIGHT	3"
CARRYING WEIGHT	280 lbs.
CHASSIS DIMENSIONS	20" x 34.5"
LIFT CAPACITY	250 lbs.



## CHAPMAN HYBRID I & II

\$225.00 DAILY

INCLUDES: SIDE, STANDING AND FRONT BOARDS, 2 SEATS, SEAT RISER & OFFSET, LOW MOUNT (16" PLATE & 3" RISER), 6" RISER, 12" RISER, AND 24" EXTENSION PLATE.

### SPECIFICATIONS

MAXIMUM BOOM HEIGHT	6'5"
MINIMUM BOOM HEIGHT	8"
CARRYING WEIGHT	395 lbs.
CHASSIS DIMENSIONS	27" x 46"
LIFT CAPACITY	450 lbs.

For Dolly Track, Dolly Accessories, Camera Heads and other Camera Support Equipment  
Please see our Fisher Dollies page.

WEEKLY RATE: 3 TIMES DAILY RATE

# CAMERA DOLLIES

## FISHER 10 \$225.00 DAILY

INCLUDES: 2 DIVING BOARDS, 2 HIGH SIDE BOARDS, 2 FRONT BOARDS, 2 LOW SIDE BOARDS, 1 STANDING BOARD, 2 SEATS, SEAT RISER & OFFSET, LEVELLING HEAD, LOW LEVELLING HEAD (LONG), 12" RISER, 6" RISER, 24" EXTENSION PLATE, TRACK SKATE WHEEL CARRIAGE (USES ROUND TRACK).

### SPECIFICATIONS

MAXIMUM BOOM HEIGHT 63"  
 MINIMUM BOOM HEIGHT 4.75"  
 CARRYING WEIGHT 420 lbs.  
 CHASSIS DIMENSIONS 26.50" x 54"  
 LIFT CAPACITY 500 lbs.



## FISHER 11 \$225.00 DAILY

INCLUDES: 2 DIVING BOARDS, 2 HIGH SIDE BOARDS, 2 LOW SIDE BOARDS, 2 FRONT BOARDS, 2 SEATS, SEAT RISER & OFFSET, LEVELLING HEAD, LOW LEVELLING HEAD (LONG), 12" RISER, 6" RISER, 24" EXTENSION PLATE, TRACK SKATE WHEEL CARRIAGE (USES ROUND TRACK).

### SPECIFICATIONS

MAXIMUM BOOM HEIGHT 51.5"  
 MINIMUM BOOM HEIGHT 3.5"  
 CARRYING WEIGHT 320 lbs.  
 CHASSIS DIMENSIONS 20.50" x 34.50"  
 LIFT CAPACITY 200 lbs.



Track	Daily
Straight (2',4',8',10')	2.00/ft.
Curved (Large* or Tight Radius**)	20.00/pc.
Starter	5.00/pc.

\*Large radius: 8-45° pcs. create a 20' O.D. circle

\*\*Tight radius: 4-90° pcs. create a 10' O.D. circle

Accessories	Daily
Camera Risers (3",6",12")	5.00
Camera Riser (24")	10.00
Camera Offsets (18", 24")	5.00
Ratcheting Offset	25.00
Panable Camera Rocker Plate	15.00
45° Camera Wedge	5.00
100mm Ball Adapter	5.00
150mm Ball Adapter	5.00
Hi Hat	7.50
Low Hat	7.50
Tri Hat	25.00
Soft Tires (Fits: PeeWee,Hybrid, Fisher10)	20.00
Pneumatic Tires (PeeWee, Hybrid)	25.00
Fisher Round Track Wheels	20.00
Center Mount (Fisher or Chapman)	50.00
Chapman Hybrid Low Mode	15.00

Camera Heads	Daily
Sachtler 7+7	50.00
Weaver Steadman	75.00
Weaver 3rd Axis	50.00
Sachtler Dutch Head	50.00
Cardellini Head-Lock	10.00
Adjustable Tilt Plate	10.00
Specialty Items	Daily
Car Mount Kit	200.00
Camera Slider 36"	150.00
Camera Slider 48"	175.00
Camera Slider 72"	300.00
Skateboard Dolly (Large)	25.00
Skateboard Dolly (Small)	20.00
Track Skate Wheel Carriage	35.00
Fisher Articulating Skate Wheels	75.00
Western Dolly	50.00
Doorway Dolly (Includes Track Wheels)	35.00

WEEKLY RATE: 3 TIMES DAILY RATE

# CAMERA SLIDER (36", 48" & 72")



\* Fluid Head not included.  
36" Slider Shown

The Camera Slider is invaluable for making those tough small moves where extreme smoothness is essential. Plus, it also affords the quickest way to make small adjustments to your camera position -- a real time saver that's as easy to set up as a head.



\*360° Rotation

## RATES:

36" \$150.00 PER DAY

48" \$175.00 PER DAY

72" \$200.00 PER DAY

WEEKLY RATE: 3 TIMES DAILY RATE

## Features:

- 36" has 26" range of slide
- 48" has 36" range of slide
- 72" has 60" range of slide
- Very rigid, minimal deflections on full travel of slide.
- Full 360° panability
- Effortless slide motion
- Standard Mitchell mount
- Mounts upright or underslung
- Fits all heads:  
fluid, wheels, Weaver Steadman
- Mounts on:  
sticks, dollies, jib arms  
or any place you can think of  
to make a small smooth move
- Greaseless bearings
- Weight: 26 lbs for 36"  
35.5 lbs for 48"  
50 lbs for 72"

# PHOENIX CRANE

VERSIONS 1 THROUGH 5:

- #1 RIDING MODE LENS HEIGHT.....17'
- #2 RIDING MODE LENS HEIGHT.....21'
- #3 REMOTE HEAD LENS HEIGHT...15'\*
- #4 RIDING MODE LENS HEIGHT...25'6"
- #5 REMOTE HEAD LENS HEIGHT..19'\*

Crane Track by MOVIE TECH available @ 3.00/ft.

4-Channel VHF Wireless Intercom System \$200/Day  
(Allows up to 4 users with discrete communication  
between crane and camera operators)



VERSIONS 6 THROUGH 10:

- #6 RIDING MODE LENS HEIGHT.....29'
- #7 REMOTE HEAD LENS HEIGHT....23'6"\*
- #8 REMOTE HEAD LENS HEIGHT....25'6"\*
- #9 REMOTE HEAD LENS HEIGHT....31'\*
- #10 REMOTE HEAD LENS HEIGHT..36'\*

\*CAMERA IN UNDERSLUNG POSTION

The Phoenix Crane System's modular design allows for a selection of arm lengths in either Riding Mode(1 or 2 seat) or with a Remote Head. It features lightweight construction and affords maximum safety and stability, with quick set-up and breakdown, requiring minimum personnel. The Phoenix is transported in a specially constructed 3-ton truck, designed for fast set-up and wrap.

Essanay will, at its discretion, designate one of your crew as the driver/operator.  
(See:TERMS and CONDITIONS)

RATE: \$900 DAILY  
MILEAGE (INCLUDES FUEL) .75/MILE

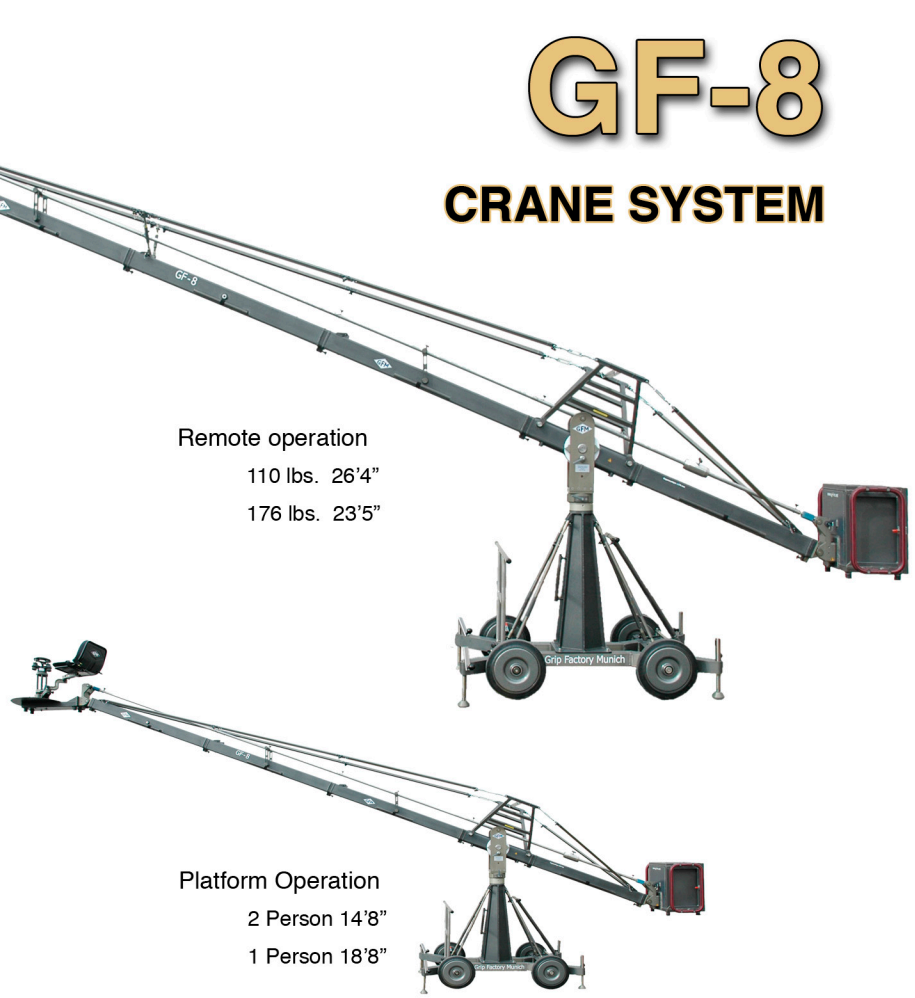
WEEKLY RATE: 4 TIMES DAILY RATE



# GF-8 CRANE SYSTEM

- A new design in a lightweight, rideable and remote crane system.
- 5 standard riding versions + 3 standard remote versions.
- Easy to assemble; all sections are interchangeable: no dedicated front or back.
- Additional versions can be assembled w/ 3', 4' or 5' sections @ either the bucket end or in combination with front sections.

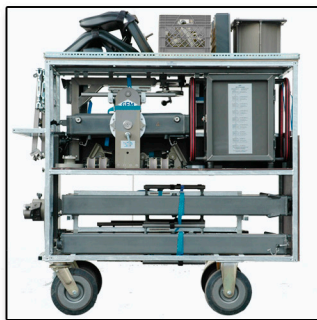
- Fast and easy set-up
- Extremely stable arm
- Rides on standard dolly track
- Remote version at any length
- TÜV Certified



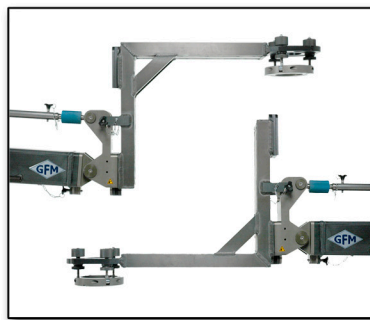
Remote operation  
110 lbs. 26'4"  
176 lbs. 23'5"

Platform Operation  
2 Person 14'8"  
1 Person 18'8"

**Daily Rate: \$575**



• Dedicated transport cart

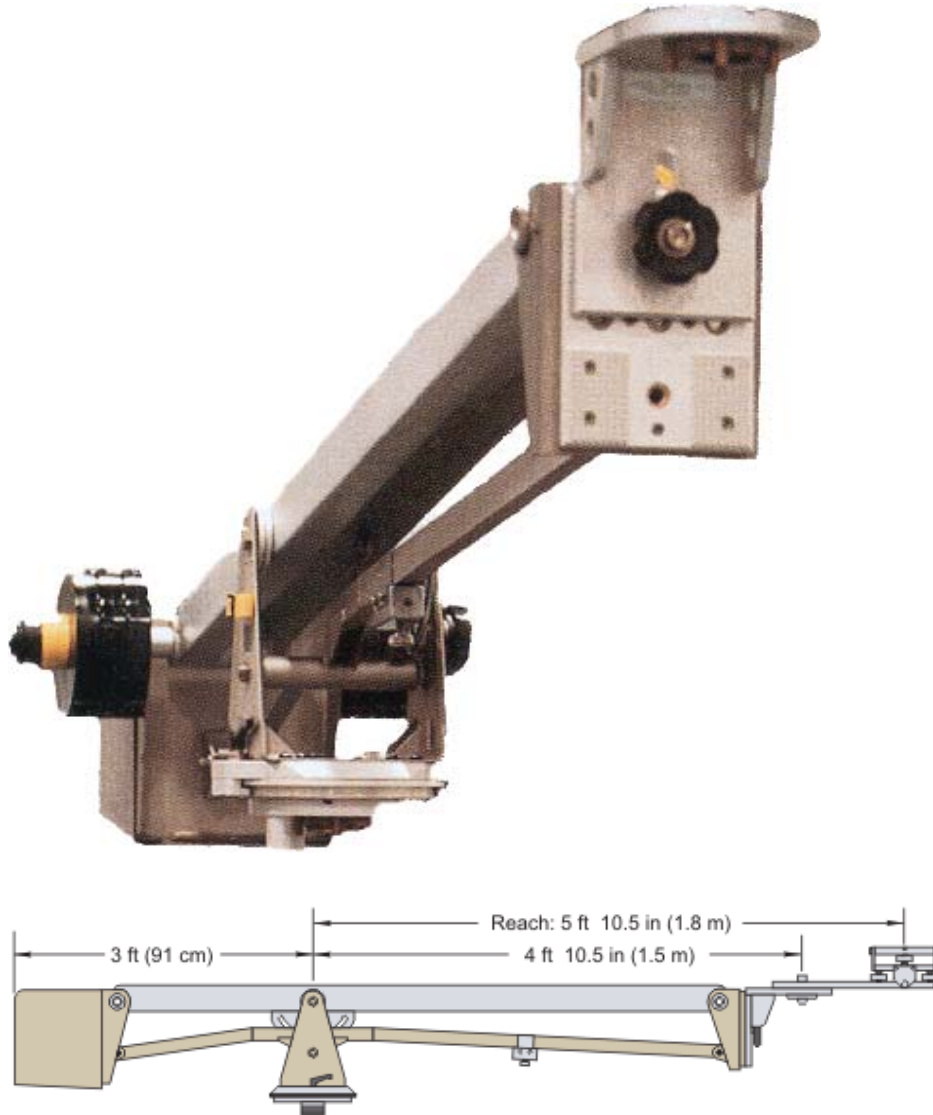


• Reversible remote piece



• Mitchell adapter for center mount

# FISHER 21 JIB ARM



Manufactured to Fisher's exacting standards, the Model 21 Jib Arm is capable of supporting head and camera packages of up to 200 lbs..

The levelling head can be positioned in either up-right or underslung configurations and includes a 10" offset which can be angled to either side.

The Model 21 requires the use of a center mount. For head and camera packages over 100 lbs. (see:Dollies - Accessories).

For additional capabilities, see: Fisher Crossarm page.

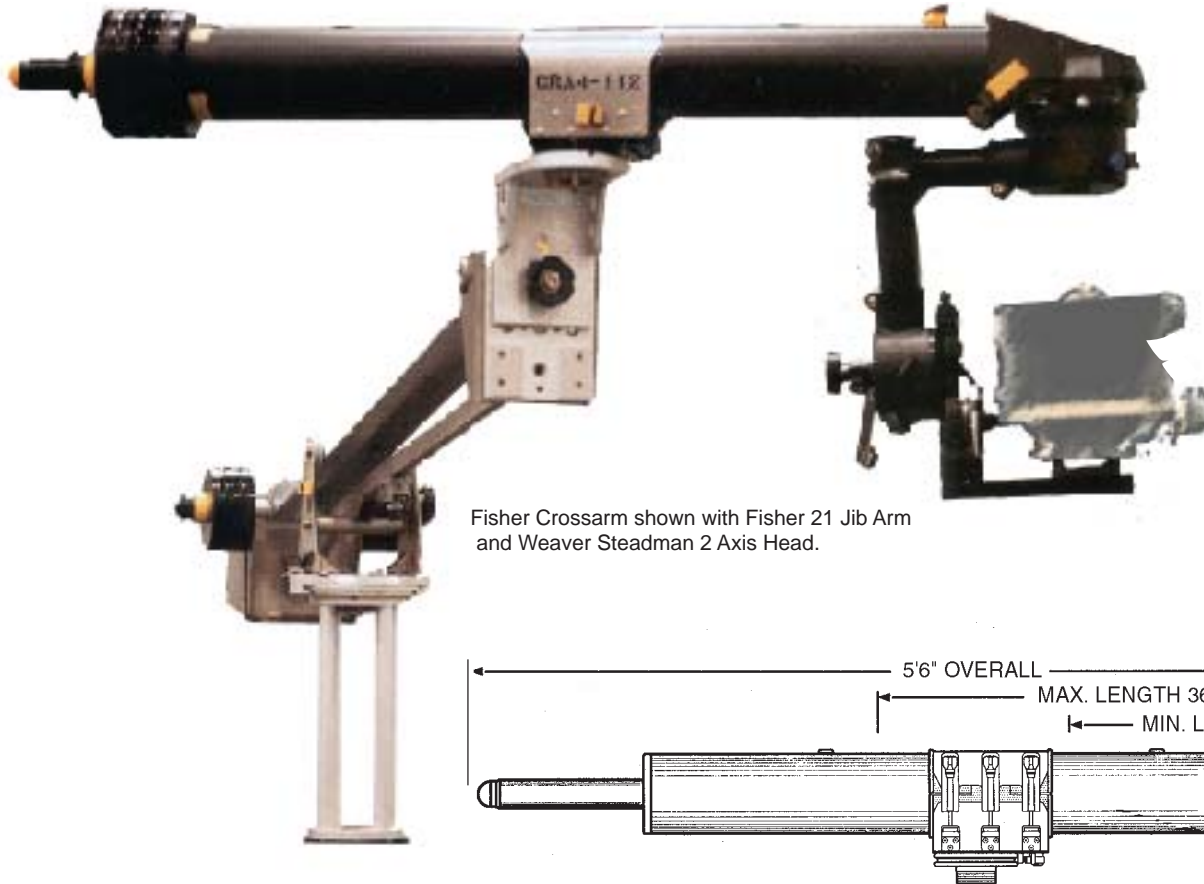
## RATES:

Fisher 21 Jib Arm	180.00 Daily
Center Mount	50.00 Daily

WEEKLY RATE: 3 TIMES DAILY RATE

# FISHER CROSSARM

Adds **3 Axis** Movement to a 21 Jib Arm  
 Adds **5 Axis** Movement when used with  
 a Weaver Steadman Head



Fisher Crossarm shown with Fisher 21 Jib Arm and Weaver Steadman 2 Axis Head.

The Fisher Crossarm expands the capabilities of a jib arm by providing free floating 3 axis camera movement.

When used in conjunction with the Weaver Steadman 2 Axis Head, the package affords the same full 5 axis movement as a Weaver Steadman jib arm.

The reach of the Fisher Crossarm can be adjusted by 13 inches (36" max. - 23" min.) and it is capable of supporting head and camera packages up to 90 lbs..

## RATES:

Fisher Crossarm	75.00 Daily
-----------------	-------------

## Suggested "5 Axis" Package:

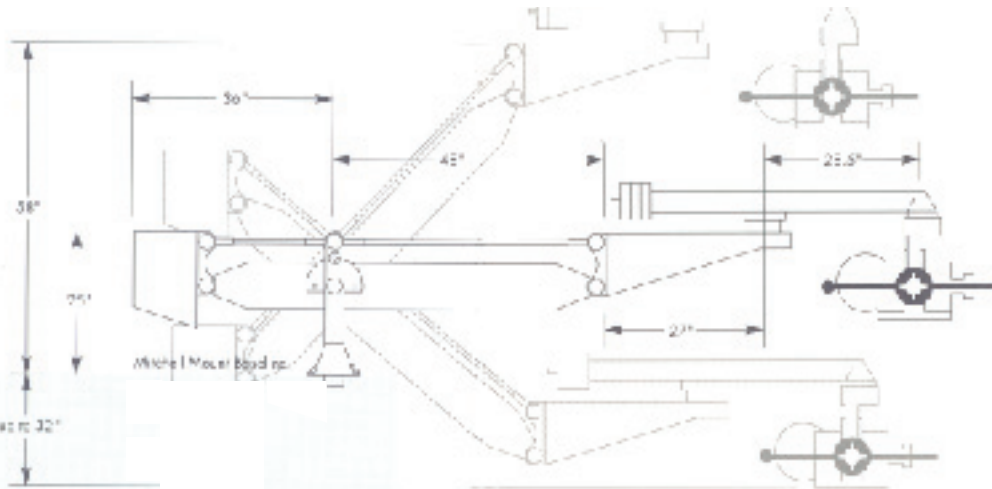
Fisher Ten Dolly(w/ std. accessories)	200.00 Daily
Fisher Center Mount	50.00 Daily
Fisher 21 Jib Arm	180.00 Daily
Fisher Crossarm	75.00 Daily
Weaver Steadman 2 Axis Head	75.00 Daily

WEEKLY RATE: 3 TIMES DAILY RATE

# WEAVER STEADMAN MULTI-AXIS JIB ARM



Weaver Steadman Multi-Axis Jib Arm specifications.



Maximum reach from center of dolly column to camera is 8' 7.5".

Maximum vertical range is 5' 6".

Maximum horizontal range is 17' 3".

Minimum distance between camera body and horizontal surface is 1.25"

Jib Arm weight is 154 lbs.

The modular weaver Steadman Multi-Axis Jib Arm support system has adjustable fluid tension at all 5 axes (when used with the weaver Steadman 2-Axis Fluid Head).

Carbon fiber construction and ultra precision robotic bearings combine for smooth, free-floating camera control.

The Multi-Axis Jib Arm can also be assembled without its Secondary Arm for a standard Jib Arm configuration.

## RATES:

**Weaver Steadman Multi-Axis Jib Arm 275.00 Daily**

## Suggested "5-Axis" Package

**Weaver Steadman Multi-Axis Jib Arm 275.00 Daily**

**Weaver Steadman 2-Axis Fluid Head 75.00 Daily**

**Fisher 10 or Chapman Hybrid Dolly 200.00 Daily**

**Center Mount 50.00 Daily**

**WEEKLY RATE: 3 TIMES DAILY RATE**



# TROVATO JIB ARM

Trovato Jib Arm shown with Weaver Steadman Fluid head (not included)



The Trovato Jib Arm boasts 4 feet of vertical travel and a 45" reach. Weights supplied will counterbalance a payload of up to 100 lbs. when the Trovato Jib Arm is mounted conventionally or under slung on its double-sided Mitchell Mount. Longer version available: it offers 4 1/2 feet of vertical travel with 57" reach.

100.00 DAILY

WEEKLY RATE: 3 TIMES DAILY RATE